



FLIGHT HEAD XXL

The FLIGHT HEAD XL and XXL are 3 axis gyrostabilized camera remote heads engineered for work with heavy and large camera packages. They can accommodate all popular 3D rigs, IMAX, PACE, PARADISE FX, ET, STEREOtec, ARRI, and PANAVISION camera packages with heavy zoom lenses. These robust and durable remote heads eliminate the problem of jerks, vibration, jumps, and bumps, ensuring an extremely smooth picture, responsive control, and precise camera positioning. XL and XXL can be mounted on a wide range of moving platforms such as telescopic and regular camera cranes, camera cars, quads, cable cam rigs, camera dollies, etc.

HIGHLIGHTS

- Digital 3-Axis Gyrostabilized
- C-motion, ARRI ACU4, and Preston (Zoom) compatible
- Mounts to standard Mitchell Mount
- Back Pan Compensation
- Auto Horizon or Steerable Mode
- User-friendly Design and Reliable Operation
- Control by Joysticks, Handwheels, or Pan bar
- Underslung or Overslung Mode
- Quick Release Camera Plate
- Long RF Wireless Option

SPECIFICATIONS

Pan continuous 360°
Tilt Range +80° / -155°
Roll Range +110° / -230°
Temp. Range -30°C / +40°C
HDSi Slipping
Head weight XL 38kg / 84lbs
Head weight XXL 43kg / 95lbs
Payload up to 90kg / 200lbs

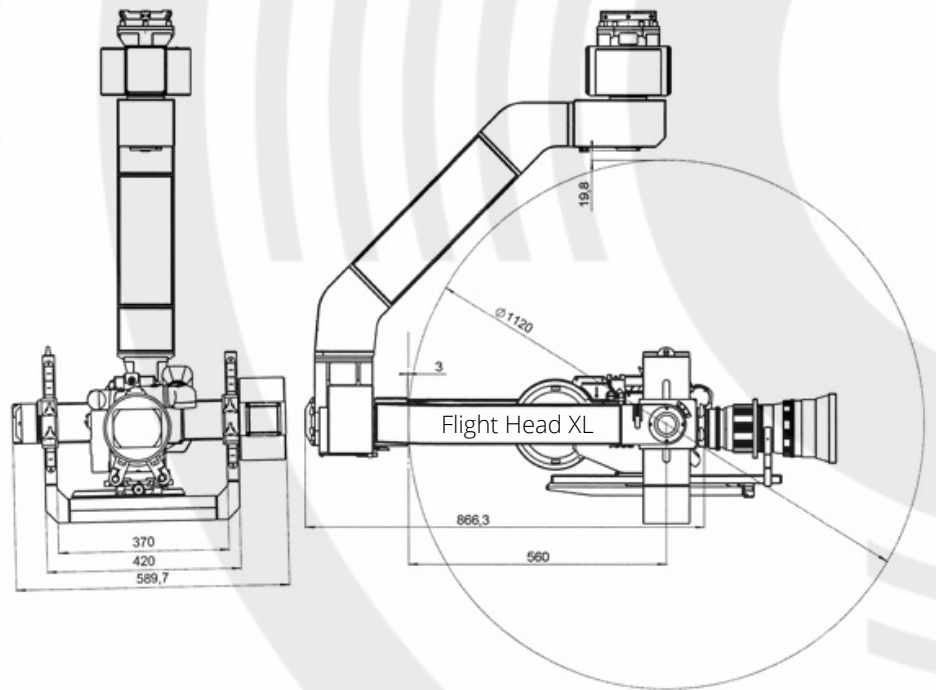
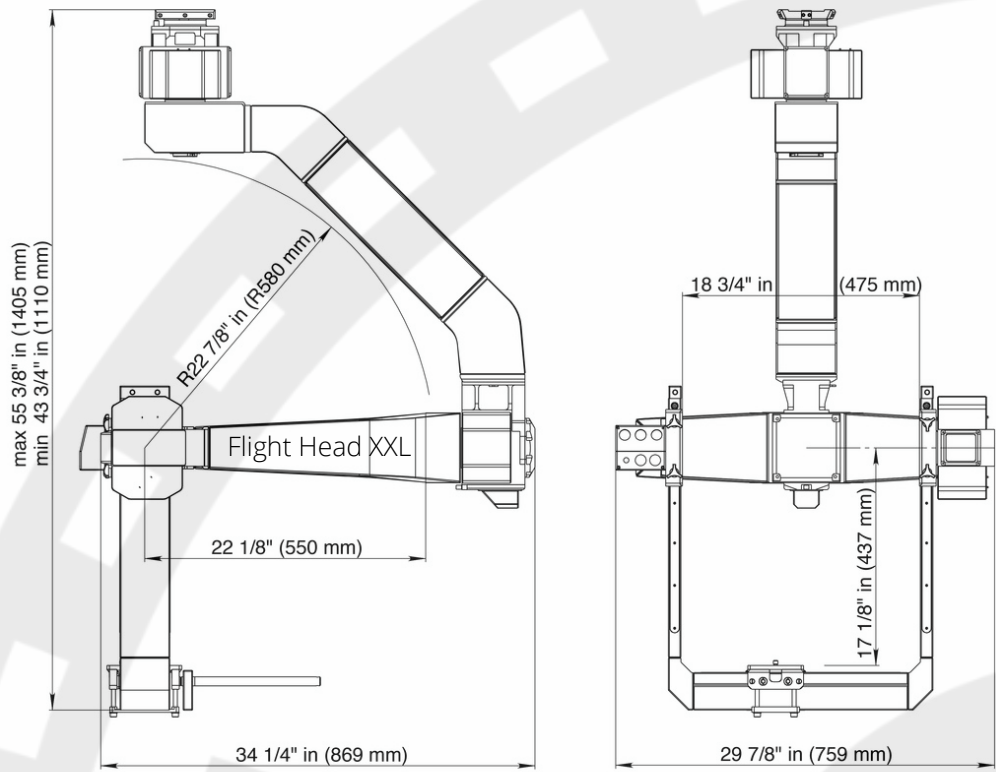
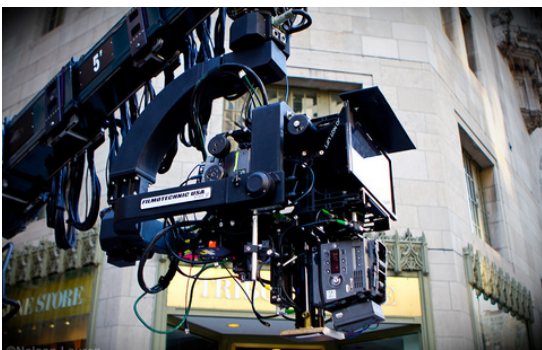
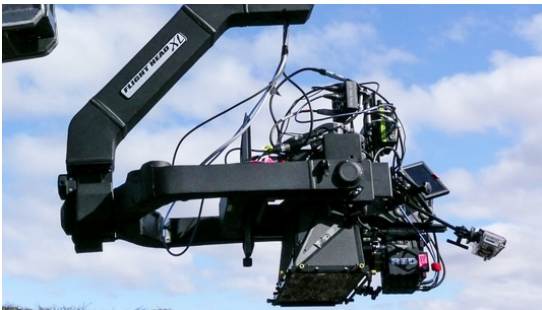
POWER REQUIREMENTS

24-32V DC
Standby 2A
Dynamic Max 15A

A GO TO FOR

IMAX
3D Rig
Multi Array

filmotechnic



filmotechnic

ATLANTA | DALLAS | DETROIT | LOS ANGELES | ALBUQUERQUE | ORLANDO

+1 310 418 3311 | BOOKING@FILMOUSA.COM | WWW.FILMOUSA.COM