



# FLIGHT HEAD COLIBRI

The 3-axis stabilized Flight Head Colibri is a precisely engineered carbon fiber remote head with direct drive motor technology to enhance your filming experiences. Perfect anywhere a small camera head is required. This lightweight, compact, and durable remote head enables highly stable dynamic footage. It can be mounted on a variety of moving platforms including regular or telescopic cranes, dollies, tracking systems, camera cars, boats, cable cams, and tower cams. Colibri offers reliable performance, smooth and stable control, and highly efficient operation.

## HIGHLIGHTS

- Digital 3-Axis Gyrostabilized System
- Compact and Lightweight
- Open architectural platform
- GPS Gyro Vertical Horizon Control
- Build-in digital shake generator + optional Shakerbox
- Automatic Drift Compensation
- Recorded moves with 10 memory cells
- Control via joystick, handwheels, and panbar
- Preston, Cmotion, and WCU4 Zoom compatible
- RF Wireless 9 channels with a ½ mile line of sight range
- Underslung and Overslung mode
- Intuitive touch screen display
- Hold Position for every axis
- Programmable Limits for every axis
- Angular position indication
- Autohorizon or Steerable Roll

## SPECIFICATIONS

Roll range  $-35^{\circ}$  /  $+35^{\circ}$   
Pan range  $360^{\circ}$  continuous  
Tilt range  $-70^{\circ}$  /  $+250^{\circ}$   
Speed pan  $360^{\circ}$  / 1.8 sec  
Temp. Range  $-20^{\circ}\text{C}$  /  $+40^{\circ}\text{C}$

Head weight 10kg / 22lbs  
Payload up to 20kg / 44lbs

Standard Mitchell mount  
Direct Drive Motors

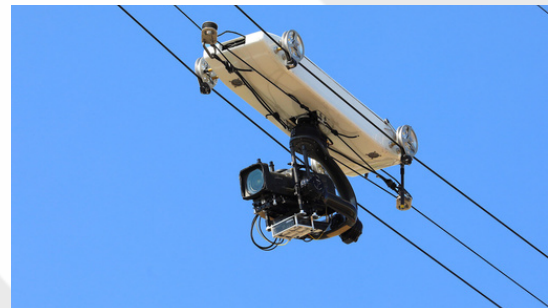
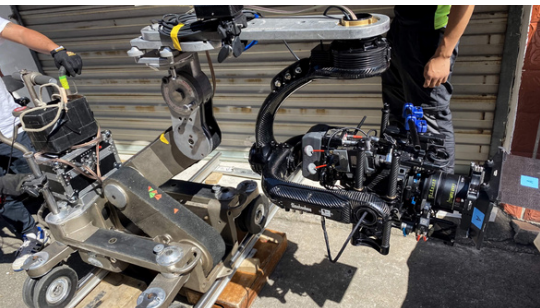
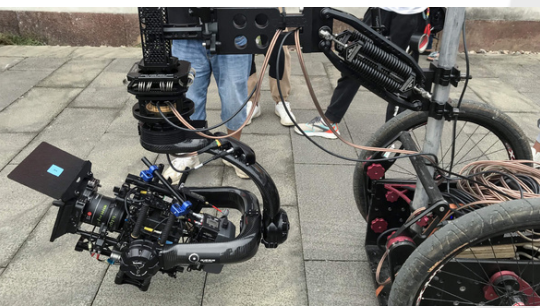
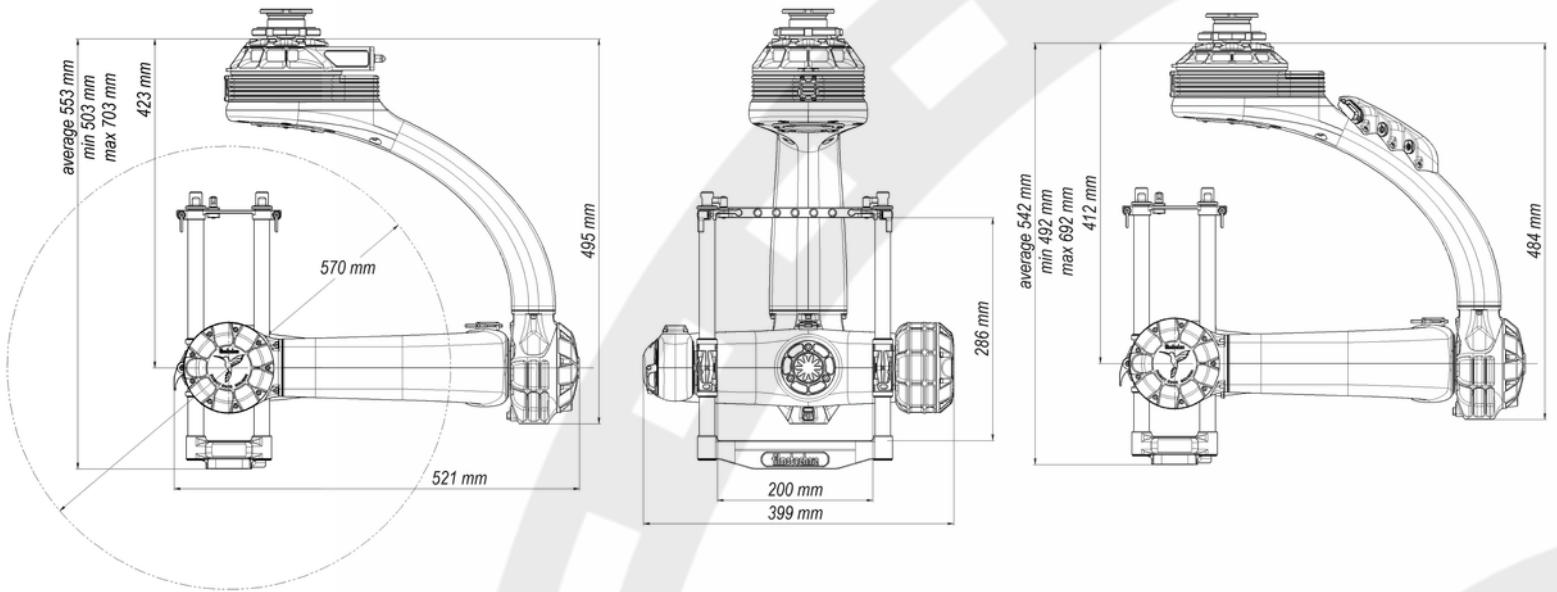
## POWER REQUIREMENTS

28-32V DC  
Standby 2A  
Dynamic Max 30A

## CONTROLS

Joystick Control Desk  
Hand Wheels  
Shakerbox  
Pan Bar

*filmotechnic*



***filmotechnic***

ENGINEERING CINEMATOGRAPHY SINCE 1990

+1 213 378 6636 | HELLO@FILMOTECHNIC.LA | WWW.FILMOTECHNIC.LA  
WWW.FILMO.TECH