



FLIGHT HEAD FALCON

The 3-axis gyro-stabilized Flight Head Falcon is a precisely engineered carbon fiber remote head with direct drive motor technology to enhance your filming experiences. This lightweight, compact, and durable remote head enables highly stable dynamic footage. It can be mounted on a variety of moving platforms including regular or telescopic cranes, dollies, tracking systems, camera cars, boats, cable cams, and tower cams. Falcon offers reliable performance, smooth and stable control, and highly efficient operation.

HIGHLIGHTS

- Digital 3-Axis Gyrostabilized System
- Compact and Lightweight
- Open architectural platform
- GPS Gyro Vertical Horizon Control
- Build-in digital shake generator + Optional Shakerbox
- Automatic Drift Compensation
- Recorded moves
- Control via joystick, handwheels, and panbar
- Preston, Cmotion, and WCU4 Zoom compatible
- RF Wireless 9 channels with a ½ mile line of sight range
- Underslung and Overslung mode
- Intuitive touchscreen display
- Programmable Limits on every axis
- Hold Position for every axis
- Angular position indication
- Autohorizon or Steerable

SPECIFICATIONS

Roll range -255° / $+75^{\circ}$
Pan range 360° continuous
Tilt range -70° / $+250^{\circ}$
Speed pan 360° / 3 sec
Temp. Range -20°C / $+40^{\circ}\text{C}$

Head weight 12.5kg / 27.5lbs
Payload up to 36kg / 79.3lbs
28kg / 61.7lbs (U-CRANE)

Standard Mitchell mount
Direct Drive Motors

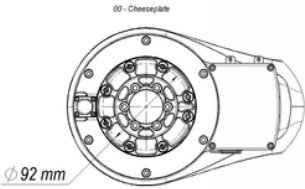
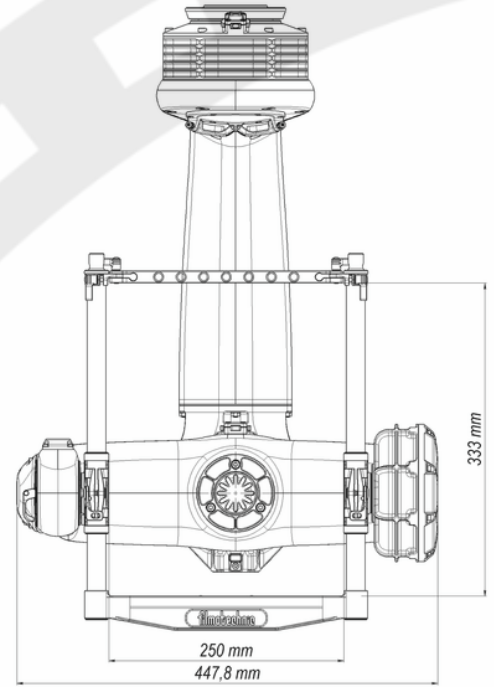
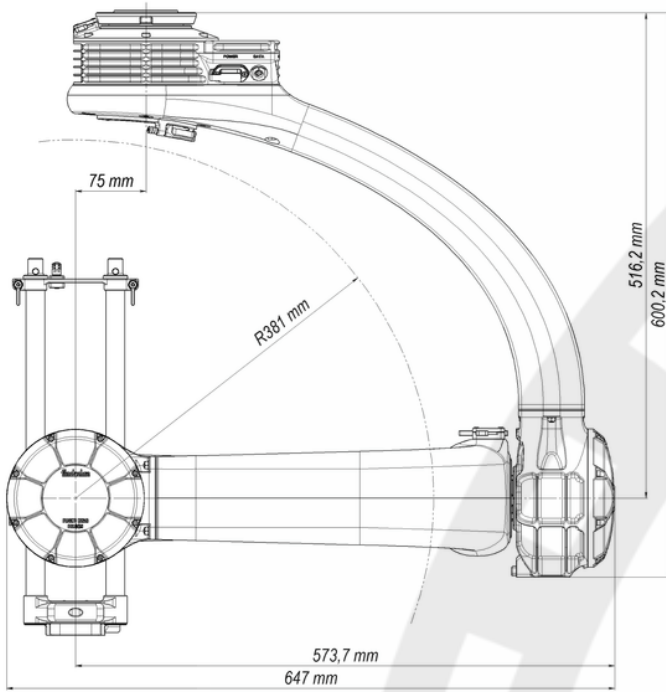
POWER REQUIREMENTS

28-32V DC
Standby 2A
Dynamic Max 30A

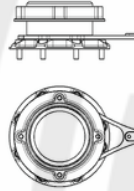
CONTROLS

Joystick Control Desk
Hand Wheels
Shakerbox
Pan Bar

filmotechnic

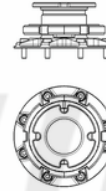


Mitchell Mount
366 grams

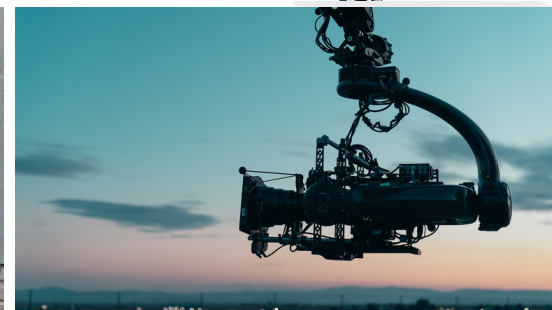
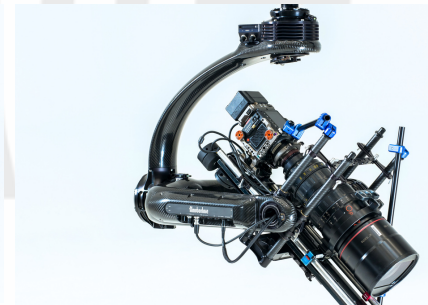
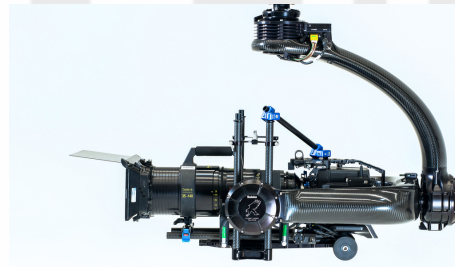
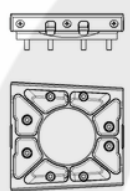


PAN Flanges

F Mount
352 grams



DT Mount
326 grams



filmotechnic

ENGINEERING CINEMATOGRAPHY SINCE 1990

+1 213 378 6636 | HELLO@FILMOTECHNIC.LA | WWW.FILMOTECHNIC.LA
WWW.FILMO.TECH